



Setting
the
Highest
Standard
for
Diamond
Grading™

AMERICAN GEM SOCIETY LABORATORIES®

AGS 01040361050001

August 21, 2009

Shape and Style Square Modified Brilliant

Measurements: 5.94 x 5.73 x 4.40 mm

Cut Grade AGS Good 3

Color Grade AGS 1.5 (G)

Clarity Grade AGS 4 (VS2)

Carat Weight 1.242 cts.

Comments

Fluorescence: Negligible
"AGSL 1040361050001" and "AGSL 9382102" have been inscribed on the girdle of this diamond.
Clouds are not shown.

IMPORTANT NOTICE:

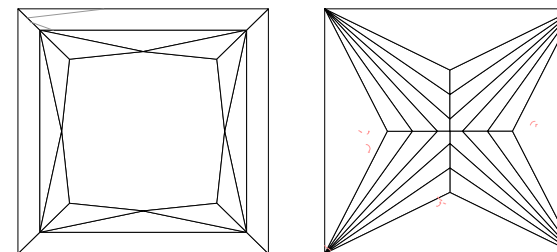
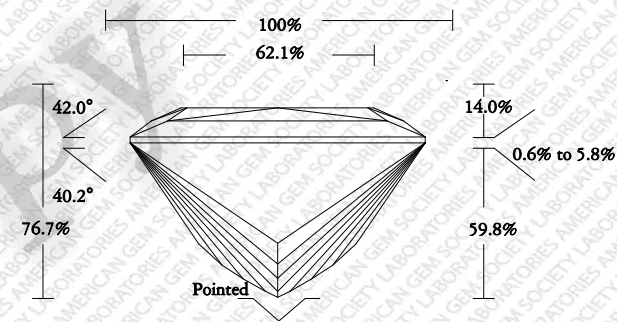
All three quality factors of Cut, Color, and Clarity can dramatically affect the beauty and value of a diamond. Because of cutting, diamonds with the same color and clarity grades can vary in value by as much as 50% or more. Therefore, it is advisable to consult a Certified Gemologist® or other credentialed gemologist, before purchasing this Diamond.

THIS DOCUMENT IS NOT A WARRANTY, GUARANTEE, OR APPRAISAL OF VALUE.

Diamond Quality™ Document

Square Modified Brilliant
1.242 cts.

Performance-Based





Deductions

Brightness	0.0000
Contrast	0.1704
Dispersion	0.0000
Leakage	0.0000
Weight Ratio	0
Tilt	0
Durability	0
Sum	0.1704

Net Lowering

Girdle	3
Culet	0
Polish	0
Symmetry	2
Largest	3.0000

Key to Symbols

Feather 
Extra Facet 

PLOT INFORMATION: The Clarity grade is diagrammed using the clarity symbols contained in the *AGS Diamond Standards Manual*. Red marks indicate inclusions; green marks indicate external blemishes.

Cut Scale	0	1	2	3	4	5	6	7	8	9	10													
	AGS Ideal	AGS Excellent	AGS Very Good	AGS Good			AGS Fair			AGS Poor														
Color Scale	0	0.5	1.0	1.5	2.0	2.5	3.0	3.5	4.0	4.5	5.0	5.5	6.0	6.5	7.0	7.5	8.0	8.5	9.0	9.5	10.0	To	Fancy Yellow	
	D	E	F	G	H	I	J	K	L	M	N	O	P	Q	R	S	T	U	V	W	X	Y	Z	Fancy Yellow
	COLORLESS			NEAR COLORLESS				FAINT			VERY LIGHT						LIGHT							
Clarity Scale	0	1	2	3	4	5	6	7	8	9	10													
	FLAWLESS / IF	VVS1	VVS2	VS1	VS2	S11	S12	I1	I2	I3														