



Setting  
the  
Highest  
Standard  
for  
Diamond  
Grading™

AMERICAN GEM SOCIETY LABORATORIES®

# Diamond Quality™ Document

Round Brilliant  
1.303 cts.

AGS 104045292037

June 21, 2010

**Shape and Style** Round Brilliant

**Measurements:** 6.95 - 7.01 x 4.35 mm

**Cut Grade** AGS Ideal 0

**Color Grade** AGS 3.0 (J)

**Clarity Grade** AGS 3 (VS1)

**Carat Weight** 1.303 cts.

**Comments**

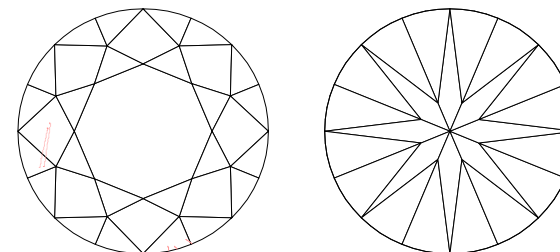
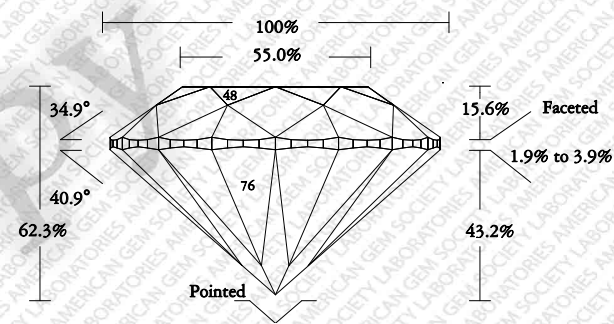
Fluorescence: Negligible  
"AGSL 104045292037" has been inscribed on the girdle of this diamond.  
Additional clouds and surface graining are not shown.

**IMPORTANT NOTICE:**

All three quality factors of Cut, Color, and Clarity can dramatically affect the beauty and value of a diamond. Because of cutting, diamonds with the same color and clarity grades can vary in value by as much as 50% or more. Therefore, it is advisable to consult a Certified Gemologist® or other credentialed gemologist, before purchasing this Diamond.

**THIS DOCUMENT IS NOT A WARRANTY, GUARANTEE, OR APPRAISAL OF VALUE.**

**Performance-Based**



**Key to Symbols**

Cloud   
Feather

**PLOT INFORMATION:** The Clarity grade is diagrammed using the clarity symbols contained in the *AGS Diamond Standards Manual*. Red marks indicate inclusions; green marks indicate external blemishes.

Light Performance	0
Proportion Factors	0
Finish	0
Polish	Ideal
Symmetry	Ideal

Cut Scale	0	1	2	3	4	5	6	7	8	9	10													
	AGS Ideal	AGS Excellent	AGS Very Good	AGS Good			AGS Fair			AGS Poor														
Color Scale	0	0.5	1.0	1.5	2.0	2.5	3.0	3.5	4.0	4.5	5.0	5.5	6.0	6.5	7.0	7.5	8.0	8.5	9.0	9.5	10.0	To	Fancy Yellow	
	D	E	F	G	H	I	J	K	L	M	N	O	P	Q	R	S	T	U	V	W	X	Y	Z	Fancy Yellow
	COLORLESS			NEAR COLORLESS				FAINT			VERY LIGHT					LIGHT								
Clarity Scale	0	1	2	3	4	5	6	7	8	9	10													
	FLAWLESS / IF	VVS1	VVS2	VS1	VS2	S11	S12	I1	I2	I3														