



AGS 104055121006

November 08, 2011

1.013 cts

AGS LABORATORIES™

Setting the Highest Standard for Diamond Grading®

The Proprietary Light Performance Diamond Quality® Document

Shape and Style
Measurements

Round Brilliant

6.46 - 6.49 x 3.97 mm

Brian & Gavin Blue®

Cut Grade

AGS Ideal 0

Light Performance

AGS Ideal 0

Polish

AGS Ideal 0

Symmetry

AGS Ideal 0

Color Grade

(G) AGS 1.5

Clarity Grade

(VS2) AGS 4

Carat Weight

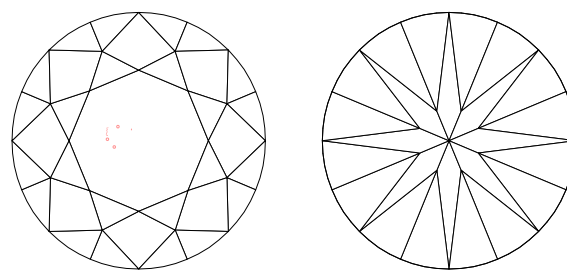
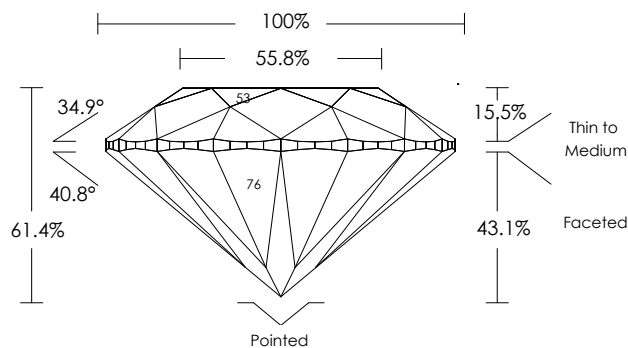
1.013 cts

Comments

Fluorescence: Medium Blue

"Brian & Gavin Blue 104055121006" has been inscribed on the girdle of this diamond.

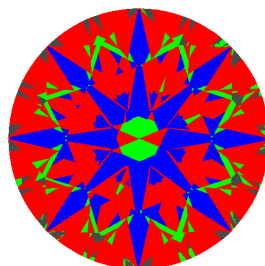
Additional clouds are not shown.



CLARITY PLOT INFORMATION: Red marks indicate inclusions; green marks indicate external blemishes.

Key to Symbols

- Crystal
- Cloud
- Needle



AGSL Computer Generated Light Performance Map for this Diamond.
U.S. Patent No: 7,355,683

Cut Grade

- Brightness Contrast
- Less Bright Light Leakage

AGS	0	1	2	3	4	5	6	7	8	9	10
	AGS Ideal	AGS Excellent	AGS Very Good	AGS Good		AGS Fair			AGS Poor		

Color Grade

AGS	0.0	0.5	1.0	1.5	2.0	2.5	3.0	3.5	4.0	4.5	5.0	5.5	6.0	6.5	7.0	7.5	8.0	8.5	9.0	9.5	10.0	To Fancy Yellow		
	Colorless			Near Colorless			Faint			Very Light			Light						Fancy Yellow					
GIA	D	E	F	G	H	I	J	K	L	M	N	O	P	Q	R	S	T	U	V	W	X	Y	Z	Fancy Yellow

Clarity Grade

AGS	0	1	2	3	4	5	6	7	8	9	10
	Flawless/IF	Very Very Slightly Included		Very Slightly Included		Slightly Included		Included			
GIA	Flawless/IF	VVS1	VVS2	VS1	VS2	S11	S12	I1	I2		I3

THIS IS A REPRESENTATION OF THE ACTUAL DOCUMENT