



AGS 104059065018

May 30, 2012

1.315 cts



AGS LABORATORIES™

Setting the Highest Standard for Diamond Grading®

The Proprietary Light Performance Diamond Quality® Document

Shape and Style
Measurements

Round Brilliant

7.03 - 7.06 x 4.33 mm



CUT BEYOND BRILLIANT®

Cut Grade

AGS Ideal 0

Light Performance

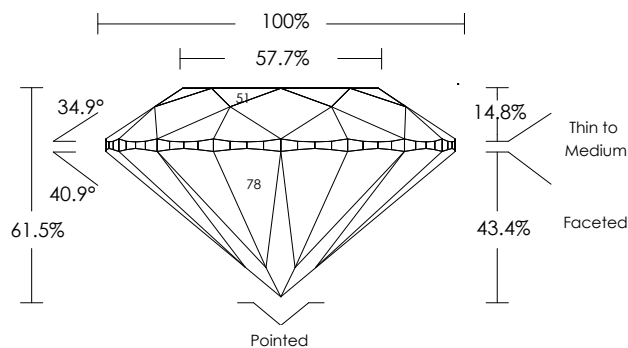
AGS Ideal 0

Polish

AGS Ideal 0

Symmetry

AGS Ideal 0



Color Grade

(I) AGS 2.5

Clarity Grade

(VS1) AGS 3

Carat Weight

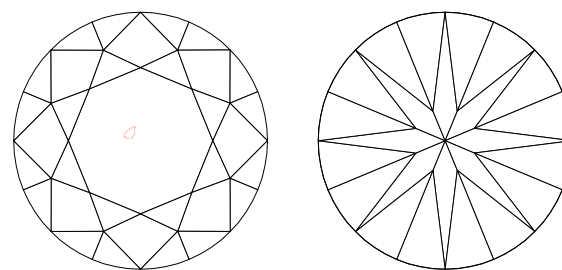
1.315 cts

Comments

Fluorescence: Negligible

"Brian & Gavin 104059065018" has been inscribed on the girdle of this diamond.

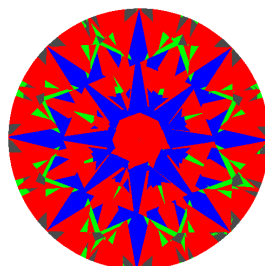
Pinpoints and surface graining are not shown.



CLARITY PLOT INFORMATION: Red marks indicate inclusions; green marks indicate external blemishes.

Key to Symbols

Cloud



AGSL Computer Generated Light Performance Map for this Diamond.
U.S. Patent No: 7,355,683

Cut Grade

■ Brightness Contrast ■ Less Bright Light Leakage

AGS	0	1	2	3	4	5	6	7	8	9	10
	AGS Ideal	AGS Excellent	AGS Very Good	AGS Good		AGS Fair			AGS Poor		

Color Grade

AGS	0.0	0.5	1.0	1.5	2.0	2.5	3.0	3.5	4.0	4.5	5.0	5.5	6.0	6.5	7.0	7.5	8.0	8.5	9.0	9.5	10.0	To Fancy Yellow		
	Colorless			Near Colorless			Faint			Very Light			Light						Fancy Yellow					
GIA	D	E	F	G	H	I	J	K	L	M	N	O	P	Q	R	S	T	U	V	W	X	Y	Z	Fancy Yellow

Clarity Grade

AGS	0	1	2	3	4	5	6	7	8	9	10	
	Flawless/IF	Very Very Slightly Included		Very Slightly Included		Slightly Included		Included				
GIA	Flawless/IF	VVS1	VVS2	VS1	VS2	S11	S12	I1		I2		I3

THIS IS A REPRESENTATION OF THE ACTUAL DOCUMENT