



AMERICAN GEM SOCIETY LABORATORIES™

Setting the Highest Standard for Diamond Grading®

AGS 104062571039

June 02, 2014

1.237 cts



The Proprietary Light Performance Diamond Quality® Document

Shape and Style
Measurements

Round Brilliant
6.86 - 6.88 x 4.24 mm

Cut Grade

AGS Ideal 0

Light Performance
Polish
Symmetry

AGS Ideal 0
AGS Ideal 0
AGS Ideal 0

Color Grade

(K) AGS 3.5

Clarity Grade

(VS2) AGS 4

Carat Weight

1.237 cts

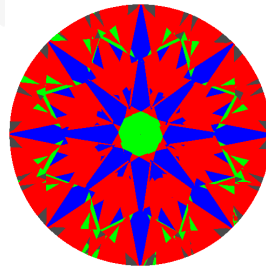
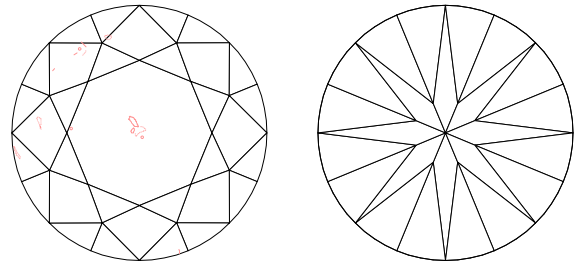
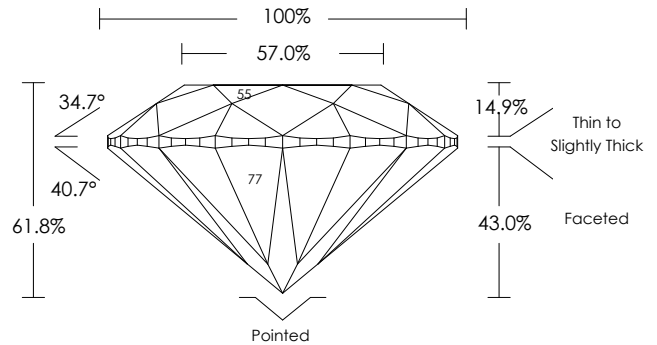
Comments

Fluorescence: Negligible

"Brian & Gavin 104062571039" has been inscribed on the girdle of this diamond.

Additional clouds are not shown.

Brian & Gavin
CUT BEYOND BRILLIANT®



AGSL Computer Generated Light Performance Map for this Diamond.
U.S. Patent No: 7,355,683

Key to Symbols

- Crystal
- Cloud
- Needle
- Feather

Cut Scale

- Brightness
- Contrast
- Less Bright
- Light Leakage

AGS	0	1	2	3	4	5	6	7	8	9	10
	AGS Ideal	AGS Excellent	AGS Very Good	AGS Good		AGS Fair			AGS Poor		

Color Scale

AGS	0.0	0.5	1.0	1.5	2.0	2.5	3.0	3.5	4.0	4.5	5.0	5.5	6.0	6.5	7.0	7.5	8.0	8.5	9.0	9.5	10.0	To Fancy Yellow		
	Colorless			Near Colorless			Faint			Very Light						Light				Fancy Yellow				
GIA	D	E	F	G	H	I	J	K	L	M	N	O	P	Q	R	S	T	U	V	W	X	Y	Z	Fancy Yellow

Clarity Scale

AGS	0	1	2	3	4	5	6	7	8	9	10	
	Flawless/IF	Very Very Slightly Included		Very Slightly Included		Slightly Included		Included				
GIA	Flawless/IF	VVS1	VVS2	VS1	VS2	S11	S12	I1		I2		I3

THIS IS A REPRESENTATION OF THE ACTUAL DOCUMENT

ORIGINAL