



# AMERICAN GEM SOCIETY LABORATORIES™

Setting the Highest Standard for Diamond Grading®

AGS 104064813021

November 09, 2015

1.237 cts



## The Proprietary Light Performance Diamond Quality® Document

Shape and Style  
Measurements

Round Brilliant  
6.90 - 6.92 x 4.23 mm

Cut Grade

AGS Ideal 0

Light Performance

AGS Ideal 0

Polish

AGS Ideal 0

Symmetry

AGS Ideal 0

Color Grade

(I) AGS 2.5

Clarity Grade

(SI1) AGS 5

Carat Weight

1.237 cts

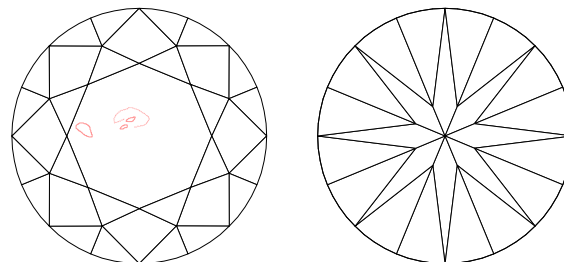
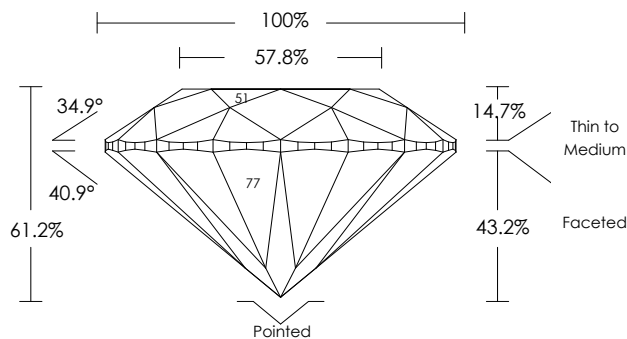
Comments

Fluorescence: Negligible



"Brian & Gavin 104064813021" has been inscribed on the girdle of this diamond.

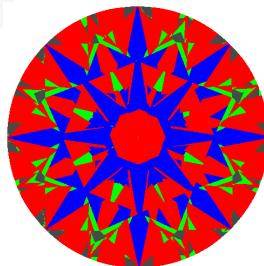
Additional clouds and brown patch of color are not shown

Brian & Gavin®  
CUT BEYOND BRILLIANT®



### Key to Symbols

Crystal   
Cloud 



AGSL Computer Generated Light Performance Map for this Diamond.  
U.S. Patent No: 7,355,683

### Cut Scale

 Brightness  Less Bright  
 Contrast  Light Leakage

AGS	0	1	2	3	4	5	6	7	8	9	10
	AGS Ideal	AGS Excellent	AGS Very Good	AGS Good		AGS Fair			AGS Poor		

### Color Scale

AGS	0.0	0.5	1.0	1.5	2.0	2.5	3.0	3.5	4.0	4.5	5.0	5.5	6.0	6.5	7.0	7.5	8.0	8.5	9.0	9.5	10.0	To Fancy Yellow		
	Colorless			Near Colorless			Faint			Very Light						Light				Fancy Yellow				
GIA	D	E	F	G	H	I	J	K	L	M	N	O	P	Q	R	S	T	U	V	W	X	Y	Z	Fancy Yellow

### Clarity Scale

AGS	0	1	2	3	4	5	6	7	8	9	10	
	Flawless/IF	Very Very Slightly Included		Very Slightly Included		Slightly Included			Included			
GIA	Flawless/IF	VVS1	VVS2	VS1	VS2	SI1	SI2		I1	I2		I3

THIS IS A REPRESENTATION OF THE ACTUAL DOCUMENT

ORIGINAL