



AMERICAN GEM SOCIETY LABORATORIES™

AGS 104067973013

October 20, 2018

1.093 cts

Setting the Highest Standard for Diamond Grading®



The Proprietary Light Performance Diamond Quality® Document

Shape and Style
Measurements

Round Brilliant
6.63 - 6.65 x 4.07 mm

Brian & Gavin Blue

Cut Grade

AGS Ideal 0

Light Performance

AGS Ideal 0

Polish

AGS Ideal 0

Symmetry

AGS Ideal 0

Color Grade

(D) AGS 0

Clarity Grade

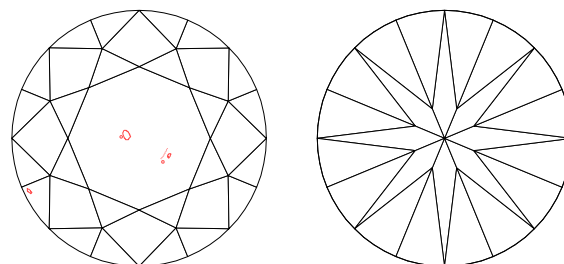
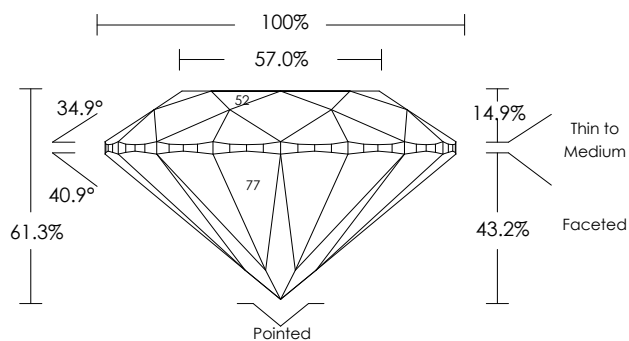
(VS2) AGS 4

Carat Weight



1.093 cts

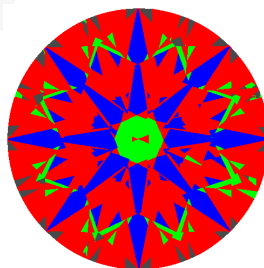
Comments

Fluorescence: Strong Blue
Girdle inscribed "Brian & Gavin Blue 104067973013"
Additional clouds not shown



Key to Symbols

Crystal 
Cloud 



AGSL Computer Generated Light Performance Map for this Diamond.
U.S. Patent No: 7382445, 7420657, 7372552

 Brightness  Less Bright
 Contrast  Light Leakage

Cut Scale

AGS	0	1	2	3	4	5	6	7	8	9	10
	AGS Ideal	AGS Excellent	AGS Very Good	AGS Good		AGS Fair			AGS Poor		

Color Scale

AGS	0.0	0.5	1.0	1.5	2.0	2.5	3.0	3.5	4.0	4.5	5.0	5.5	6.0	6.5	7.0	7.5	8.0	8.5	9.0	9.5	10.0	To Fancy Yellow		
	Colorless			Near Colorless			Faint			Very Light						Light				Fancy Yellow				
GIA	D	E	F	G	H	I	J	K	L	M	N	O	P	Q	R	S	T	U	V	W	X	Y	Z	Fancy Yellow

Clarity Scale

AGS	0	1	2	3	4	5	6	7	8	9	10
	Flawless/IF	Very Very Slightly Included		Very Slightly Included		Slightly Included		Included			
GIA	Flawless/IF	VVS1	VVS2	VS1	VS2	S11	S12	I1	I2	I3	

THIS IS A REPRESENTATION OF THE ACTUAL DOCUMENT ORIGINAL