



AMERICAN GEM SOCIETY
LABORATORIES™

Setting the Highest Standard for Diamond Grading®

AGS 104074030042

September 20, 2014

1.687 cts



The Proprietary Light Performance Diamond Quality® Document

Shape and Style
Measurements

Round Brilliant
7.61 - 7.67 x 4.72 mm

Cut Grade

AGS Ideal 0

Light Performance
Polish
Symmetry

AGS Ideal 0
AGS Ideal 0
AGS Ideal 0

Color Grade

(H) AGS 2.0

Clarity Grade

(VS2) AGS 4

Carat Weight

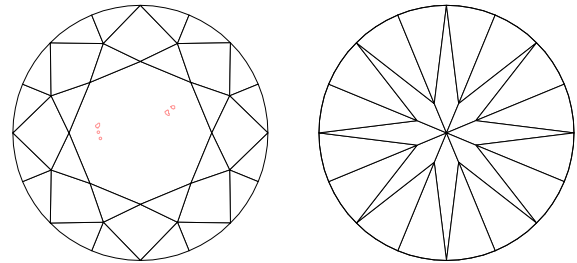
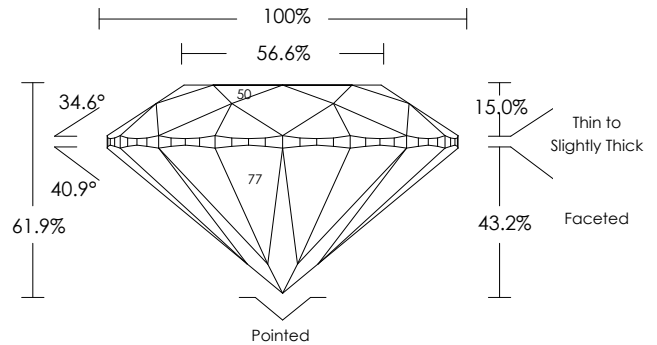
1.687 cts

Comments

Fluorescence: Medium Blue

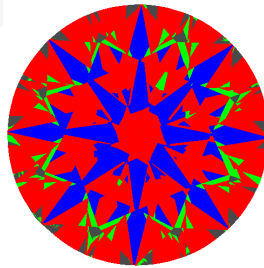
"Brian & Gavin Blue 104074030042" has been inscribed on the girdle of this diamond.

Brian & Gavin Blue



Key to Symbols

Crystal ○



AGSL Computer Generated Light Performance Map for this Diamond.
U.S. Patent No: 7,355,683

Cut Scale

■ Brightness ■ Less Bright
■ Contrast ■ Light Leakage

AGS	0	1	2	3	4	5	6	7	8	9	10
	AGS Ideal	AGS Excellent	AGS Very Good	AGS Good		AGS Fair			AGS Poor		

Color Scale

AGS	0.0	0.5	1.0	1.5	2.0	2.5	3.0	3.5	4.0	4.5	5.0	5.5	6.0	6.5	7.0	7.5	8.0	8.5	9.0	9.5	10.0	To Fancy Yellow		
	Colorless			Near Colorless			Faint			Very Light						Light				Fancy Yellow				
GIA	D	E	F	G	H	I	J	K	L	M	N	O	P	Q	R	S	T	U	V	W	X	Y	Z	Fancy Yellow

Clarity Scale

AGS	0	1	2	3	4	5	6	7	8	9	10
	Flawless/IF	Very Very Slightly Included		Very Slightly Included		Slightly Included		Included			
GIA	Flawless/IF	VVS1	VVS2	VS1	VS2	S11	S12	I1		I3	

THIS IS A REPRESENTATION OF THE ACTUAL DOCUMENT

ORIGINAL