

AGS 104078381008

April 22, 2015

Shape and Style **Round Brilliant**

Measurements: 6.16 - 6.20 x 4.09 mm

Cut Grade **AGS Good 3**

Color Grade **AGS 2.5 (I)**

Clarity Grade **AGS 6 (SI2)**

Carat Weight **1.006 cts.**

**Comments**

Fluorescence: Negligible  
"AGS 104078381008" has been inscribed on the girdle of this diamond.

**Diamond Quality™ Document**

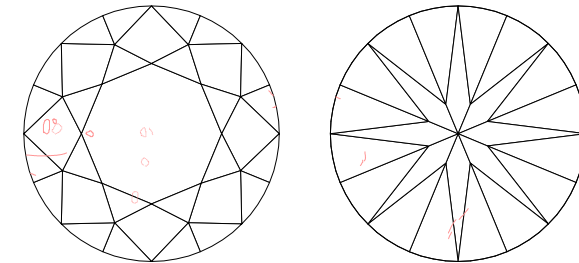
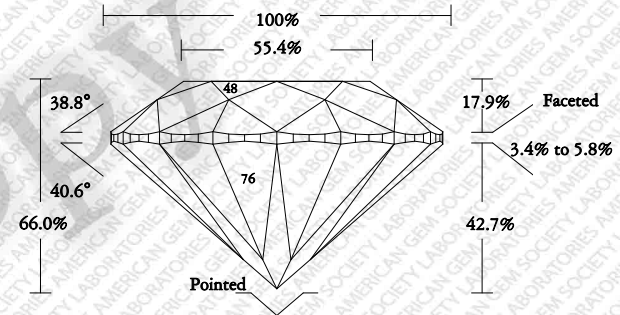
Round Brilliant  
1.006 cts.

**IMPORTANT NOTICE:**

All three quality factors of Cut, Color, and Clarity can dramatically affect the beauty and value of a diamond. Because of cutting, diamonds with the same color and clarity grades can vary in value by as much as 50% or more. Therefore, it is advisable to consult a Certified Gemologist® or other credentialed gemologist, before purchasing this Diamond.

**THIS DOCUMENT IS NOT A WARRANTY, GUARANTEE, OR APPRAISAL OF VALUE.**

**Performance-Based**



**Key to Symbols**

- Feather
- Crystal
- Cloud



**PLOT INFORMATION:** The Clarity grade is diagrammed using the clarity symbols contained in the *AGS Diamond Standards Manual*. Red marks indicate inclusions; green marks indicate external blemishes.

**Deductions**

Brightness	0.0000
Contrast	0.9232
Dispersion	0.0000
Leakage	0.0000
Weight Ratio	2
Tilt	0
Durability	0
<b>Sum</b>	<b>2.9232</b>

**Net Lowering**

Girdle	2
Culet	0
Polish	0
Symmetry	0
<b>Largest</b>	<b>2.0000</b>

Cut Scale	0	1	2	3	4	5	6	7	8	9	10													
	AGS Ideal	AGS Excellent	AGS Very Good	AGS Good		AGS Fair			AGS Poor															
Color Scale	0	0.5	1.0	1.5	2.0	2.5	3.0	3.5	4.0	4.5	5.0	5.5	6.0	6.5	7.0	7.5	8.0	8.5	9.0	9.5	10.0	To	Fancy Yellow	
	D	E	F	G	H	I	J	K	L	M	N	O	P	Q	R	S	T	U	V	W	X	Y	Z	Fancy Yellow
	COLORLESS			NEAR COLORLESS			FAINT			VERY LIGHT			LIGHT											
Clarity Scale	0	1	2	3	4	5	6	7	8	9	10													
	FLAWLESS / IF	VVS1	VVS2	VS1	VS2	SI1	SI2		I1	I2	I3													