



AMERICAN GEM SOCIETY LABORATORIES™

Setting the Highest Standard for Diamond Grading®

AGS 104082875029

October 30, 2015

1.005 cts



The Proprietary Light Performance Diamond Quality® Document

Shape and Style
Measurements

Round Brilliant
6.39 - 6.43 x 3.97 mm

Cut Grade

AGS Ideal 0

Light Performance
Polish
Symmetry

AGS Ideal 0
AGS Ideal 0
AGS Ideal 0

Color Grade

(H) AGS 2.0

Clarity Grade

(VS2) AGS 4

Carat Weight

1.005 cts

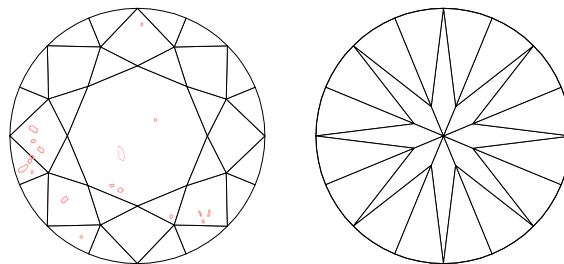
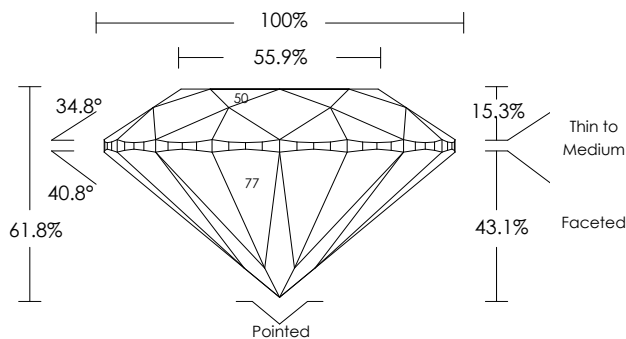
Comments

Fluorescence: Negligible



"Brian & Gavin 104082875029" has been inscribed on the girdle of this diamond.

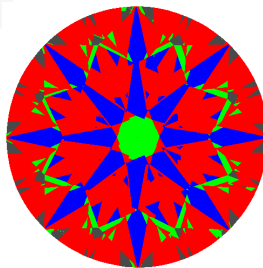
Additional clouds are not shown.

Brian & Gavin
CUT BEYOND BRILLIANT®



Key to Symbols

Crystal 
Cloud 



AGSL Computer Generated Light Performance Map for this Diamond.
U.S. Patent No: 7,355,683

Cut Scale

 Brightness  Less Bright
 Contrast  Light Leakage

| | | | | | | | | | | | |
|-----|-----------|---------------|---------------|----------|---|----------|---|---|----------|---|----|
| AGS | 0 | 1 | 2 | 3 | 4 | 5 | 6 | 7 | 8 | 9 | 10 |
| | AGS Ideal | AGS Excellent | AGS Very Good | AGS Good | | AGS Fair | | | AGS Poor | | |

Color Scale

| | | | | | | | | | | | | | | | | | | | | | | | | |
|-----|-----------|-----|-----|----------------|-----|-----|-------|-----|-----|------------|-----|-----|-----|-----|-----|-------|-----|-----|-----|--------------|------|-----------------|---|--------------|
| AGS | 0.0 | 0.5 | 1.0 | 1.5 | 2.0 | 2.5 | 3.0 | 3.5 | 4.0 | 4.5 | 5.0 | 5.5 | 6.0 | 6.5 | 7.0 | 7.5 | 8.0 | 8.5 | 9.0 | 9.5 | 10.0 | To Fancy Yellow | | |
| | Colorless | | | Near Colorless | | | Faint | | | Very Light | | | | | | Light | | | | Fancy Yellow | | | | |
| GIA | D | E | F | G | H | I | J | K | L | M | N | O | P | Q | R | S | T | U | V | W | X | Y | Z | Fancy Yellow |

Clarity Scale

| | | | | | | | | | | | | |
|-----|-------------|-----------------------------|------|------------------------|-----|-------------------|-----|----------|---|----|----|----|
| AGS | 0 | 1 | 2 | 3 | 4 | 5 | 6 | 7 | 8 | 9 | 10 | |
| | Flawless/IF | Very Very Slightly Included | | Very Slightly Included | | Slightly Included | | Included | | | | |
| GIA | Flawless/IF | VVS1 | VVS2 | VS1 | VS2 | S11 | S12 | I1 | | I2 | | I3 |

THIS IS A REPRESENTATION OF THE ACTUAL DOCUMENT

ORIGINAL