



AMERICAN GEM SOCIETY
LABORATORIES™

Setting the Highest Standard for Diamond Grading®

AGS 104087779007

July 07, 2016

2.644 cts



The Proprietary Light Performance Diamond Quality® Document

Shape and Style
Measurements

Round Brilliant
8.87 - 8.92 x 5.50 mm

Cut Grade

AGS Ideal 0

Light Performance

AGS Ideal 0

Polish

AGS Ideal 0

Symmetry

AGS Ideal 0

Color Grade

(I) AGS 2.5

Clarity Grade

(VS2) AGS 4

Carat Weight

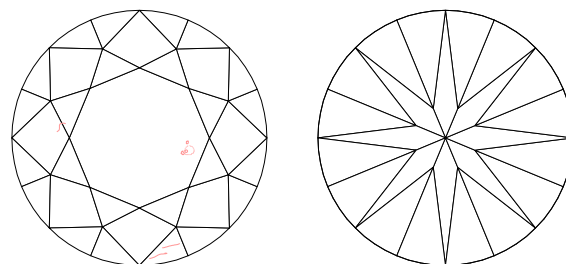
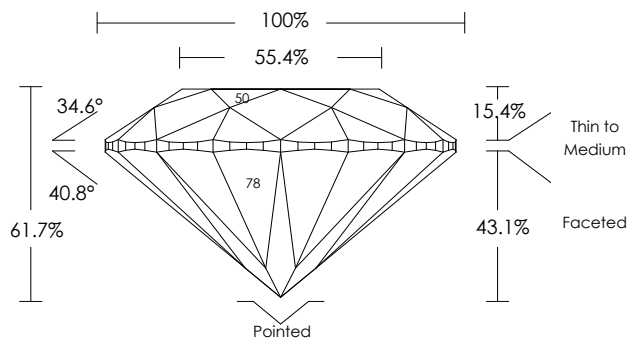
2.644 cts

Comments

Fluorescence: Negligible

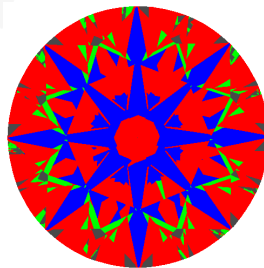
"Brian & Gavin 104087779007" has been inscribed on the girdle of this diamond.

Brian & Gavin
CUT BEYOND BRILLIANT®



Key to Symbols

Crystal ○
Feather ~
Cloud ☼



AGSL Computer Generated Light Performance Map for this Diamond.
U.S. Patent No: 7,355,683

Cut Scale

■ Brightness ■ Less Bright
■ Contrast ■ Light Leakage

AGS	0	1	2	3	4	5	6	7	8	9	10
	AGS Ideal	AGS Excellent	AGS Very Good	AGS Good		AGS Fair			AGS Poor		

Color Scale

AGS	0.0	0.5	1.0	1.5	2.0	2.5	3.0	3.5	4.0	4.5	5.0	5.5	6.0	6.5	7.0	7.5	8.0	8.5	9.0	9.5	10.0	To Fancy Yellow		
	Colorless			Near Colorless			Faint			Very Light						Light				Fancy Yellow				
GIA	D	E	F	G	H	I	J	K	L	M	N	O	P	Q	R	S	T	U	V	W	X	Y	Z	Fancy Yellow

Clarity Scale

AGS	0	1	2	3	4	5	6	7	8	9	10
	Flawless/IF	Very Very Slightly Included		Very Slightly Included		Slightly Included		Included			
GIA	Flawless/IF	VVS1	VVS2	VS1	VS2	S11	S12	I1	I2	I3	

THIS IS A REPRESENTATION OF THE ACTUAL DOCUMENT

ORIGINAL