



AMERICAN GEM SOCIETY
LABORATORIES™

AGS 104094513003

July 03, 2017

1.934 cts

Setting the Highest Standard for Diamond Grading®



The Proprietary Light Performance Diamond Quality® Document

Shape and Style
Measurements

Cushion Brilliant
7.54 x 7.31 x 4.97 mm

Cut Grade

AGS Ideal 0

Light Performance
Polish
Symmetry

AGS Ideal 0

AGS Ideal 0

AGS Ideal 0

Color Grade

(R) AGS 7.0

Clarity Grade

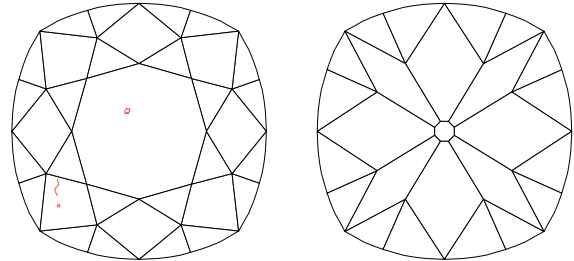
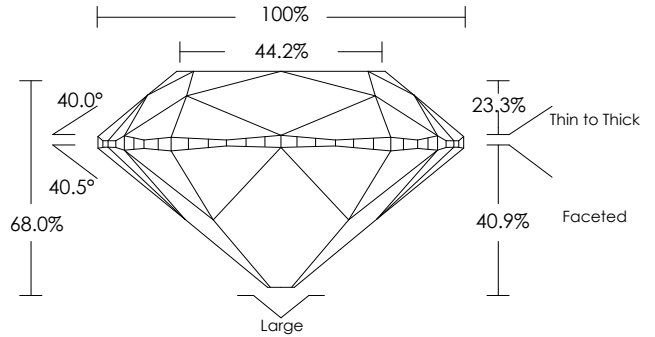
(VS2) AGS 4

Carat Weight

1.934 cts

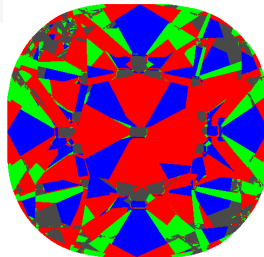
Comments

Fluorescence: Medium Blue
Girdle inscribed ".AV" and "AGS 104094513003"



Key to Symbols

Feather
Crystal



AGSL Computer Generated Light Performance Map for this Diamond.
U.S. Patent No: 7382445, 7420657, 7372552

Brightness Less Bright
 Contrast Light Leakage

Cut Scale

| | | | | | | | | | | | |
|-----|-----------|---------------|---------------|----------|---|----------|---|---|----------|---|----|
| AGS | 0 | 1 | 2 | 3 | 4 | 5 | 6 | 7 | 8 | 9 | 10 |
| | AGS Ideal | AGS Excellent | AGS Very Good | AGS Good | | AGS Fair | | | AGS Poor | | |

Color Scale

| | | | | | | | | | | | | | | | | | | | | | | | | |
|-----|-----------|-----|-----|----------------|-----|-----|-------|-----|-----|------------|-----|-----|-----|-----|-----|-------|-----|-----|-----|-----|------|-----------------|---|--------------|
| AGS | 0.0 | 0.5 | 1.0 | 1.5 | 2.0 | 2.5 | 3.0 | 3.5 | 4.0 | 4.5 | 5.0 | 5.5 | 6.0 | 6.5 | 7.0 | 7.5 | 8.0 | 8.5 | 9.0 | 9.5 | 10.0 | To Fancy Yellow | | |
| | Colorless | | | Near Colorless | | | Faint | | | Very Light | | | | | | Light | | | | | | Fancy Yellow | | |
| GIA | D | E | F | G | H | I | J | K | L | M | N | O | P | Q | R | S | T | U | V | W | X | Y | Z | Fancy Yellow |

Clarity Scale

| | | | | | | | | | | | |
|-----|-------------|-----------------------------|------|------------------------|-----|-------------------|-----|---|----------|----|----|
| AGS | 0 | 1 | 2 | 3 | 4 | 5 | 6 | 7 | 8 | 9 | 10 |
| | Flawless/IF | Very Very Slightly Included | | Very Slightly Included | | Slightly Included | | | Included | | |
| GIA | Flawless/IF | VVS1 | VVS2 | VS1 | VS2 | S11 | S12 | | I1 | I2 | I3 |

THIS IS A REPRESENTATION OF THE ACTUAL DOCUMENT

ORIGINAL