



AMERICAN GEM SOCIETY  
LABORATORIES™

Setting the Highest Standard for Diamond Grading®

AGS 104095776009

September 18, 2017

1.544 cts



The Proprietary Light Performance Diamond Quality® Document

Shape and Style  
Measurements

Cushion Brilliant  
6.81 x 6.79 x 4.61 mm

Cut Grade

AGS Ideal 0

Light Performance  
Polish  
Symmetry

AGS Ideal 0  
AGS Ideal 0  
AGS Ideal 0

Color Grade

(G) AGS 1.5

Clarity Grade

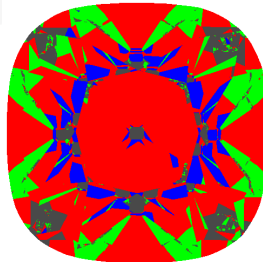
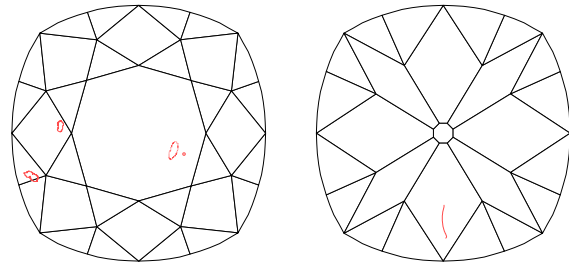
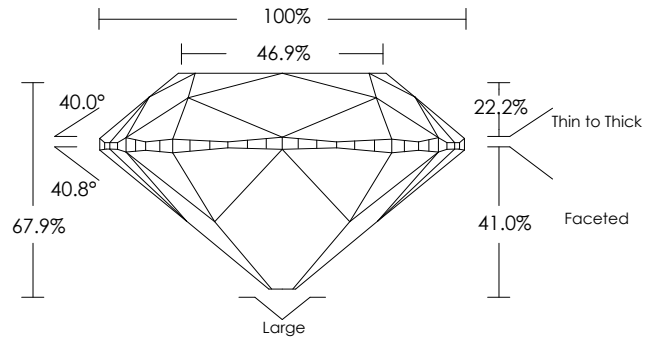
(SI1) AGS 5

Carat Weight

1.544 cts

Comments

Fluorescence: Negligible  
Girdle inscribed "AV" and "AGS 104095776009"



Key to Symbols

- Crystal ○
- Feather ~
- Cloud ☼

AGSL Computer Generated Light Performance Map for this Diamond.  
U.S. Patent No: 7382445, 7420657, 7372552

Cut Scale

- Brightness (Red)
- Contrast (Blue)
- Less Bright (Green)
- Light Leakage (Grey)

AGS	0	1	2	3	4	5	6	7	8	9	10
	AGS Ideal	AGS Excellent	AGS Very Good	AGS Good		AGS Fair			AGS Poor		

Color Scale

AGS	0.0	0.5	1.0	1.5	2.0	2.5	3.0	3.5	4.0	4.5	5.0	5.5	6.0	6.5	7.0	7.5	8.0	8.5	9.0	9.5	10.0	To Fancy Yellow		
	Colorless			Near Colorless			Faint			Very Light						Light						Fancy Yellow		
GIA	D	E	F	G	H	I	J	K	L	M	N	O	P	Q	R	S	T	U	V	W	X	Y	Z	Fancy Yellow

Clarity Scale

AGS	0	1	2	3	4	5	6	7	8	9	10	
	Flawless/IF	Very Very Slightly Included		Very Slightly Included		Slightly Included			Included			
GIA	Flawless/IF	VVS1	VVS2	VS1	VS2	SI1	SI2		I1	I2		I3

THIS IS A REPRESENTATION OF THE ACTUAL DOCUMENT

ORIGINAL