



AMERICAN GEM SOCIETY
LABORATORIES™

Setting the Highest Standard for Diamond Grading®

AGS 104095793003

September 18, 2017

0.820 cts



The Proprietary Light Performance Diamond Quality® Document

Shape and Style
Measurements

Cushion Brilliant
5.78 x 5.32 x 3.56 mm

Cut Grade

AGS Ideal 0

Light Performance
Polish
Symmetry

AGS Ideal 0

AGS Ideal 0

AGS Ideal 0

Color Grade

(F) AGS 1.0

Clarity Grade

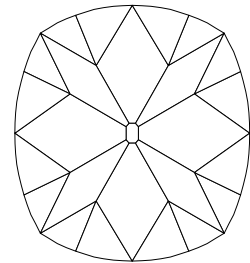
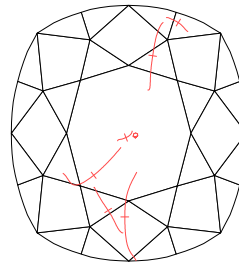
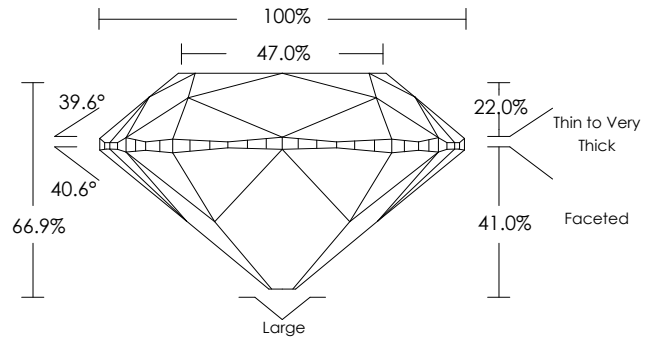
(SI1) AGS 5

Carat Weight

0.820 cts

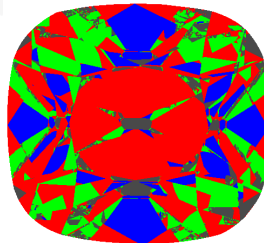
Comments

Fluorescence: Negligible
Girdle inscribed "AV" and "AGS 104095793003"
Additional twinning wisps and surface graining not shown



Key to Symbols

Twinning Wisp
Crystal



AGSL Computer Generated Light Performance Map for this Diamond.
U.S. Patent No: 7382445, 7420657, 7372552

Brightness Less Bright
 Contrast Light Leakage

Cut Scale

AGS	0	1	2	3	4	5	6	7	8	9	10
	AGS Ideal	AGS Excellent	AGS Very Good	AGS Good		AGS Fair			AGS Poor		

Color Scale

AGS	0.0	0.5	1.0	1.5	2.0	2.5	3.0	3.5	4.0	4.5	5.0	5.5	6.0	6.5	7.0	7.5	8.0	8.5	9.0	9.5	10.0	To Fancy Yellow		
	Colorless		Near Colorless			Faint			Very Light						Light					Fancy Yellow				
GIA	D	E	F	G	H	I	J	K	L	M	N	O	P	Q	R	S	T	U	V	W	X	Y	Z	Fancy Yellow

Clarity Scale

AGS	0	1	2	3	4	5	6	7	8	9	10	
	Flawless/IF	Very Very Slightly Included		Very Slightly Included		Slightly Included			Included			
GIA	Flawless/IF	VVS1	VVS2	VS1	VS2	SI1	SI2		I1	I2		I3

THIS IS A REPRESENTATION OF THE ACTUAL DOCUMENT

ORIGINAL