



AMERICAN GEM SOCIETY  
LABORATORIES™

Setting the Highest Standard for Diamond Grading®

AGS 104095793007

September 18, 2017

0.934 cts



The Proprietary Light Performance Diamond Quality® Document

Shape and Style  
Measurements

Cushion Brilliant  
5.95 x 5.70 x 3.85 mm

Cut Grade

AGS Ideal 0

Light Performance

AGS Ideal 0

Polish

AGS Ideal 0

Symmetry

AGS Excellent 1

Color Grade

(H) AGS 2.0

Clarity Grade

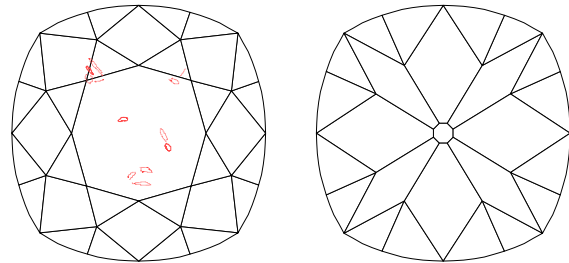
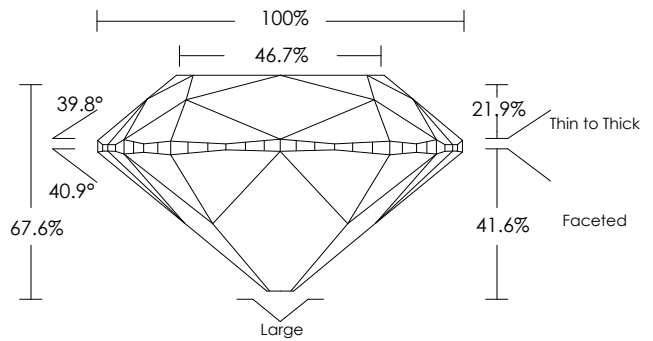
(VS2) AGS 4

Carat Weight

0.934 cts

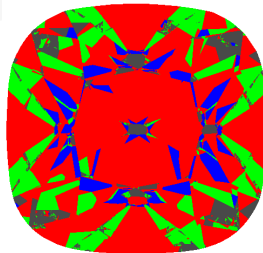
Comments

Fluorescence: Negligible  
Girdle inscribed "AV" and "AGS 104095793007"  
Additional clouds not shown



Key to Symbols

Crystal   
Cloud



AGSL Computer Generated Light Performance Map for this Diamond.  
U.S. Patent No: 7382445, 7420657, 7372552

Brightness Less Bright  
 Contrast Light Leakage

Cut Scale

AGS	0	1	2	3	4	5	6	7	8	9	10
	AGS Ideal	AGS Excellent	AGS Very Good	AGS Good		AGS Fair			AGS Poor		

Color Scale

AGS	0.0	0.5	1.0	1.5	2.0	2.5	3.0	3.5	4.0	4.5	5.0	5.5	6.0	6.5	7.0	7.5	8.0	8.5	9.0	9.5	10.0	To Fancy Yellow		
	Colorless			Near Colorless			Faint			Very Light						Light						Fancy Yellow		
GIA	D	E	F	G	H	I	J	K	L	M	N	O	P	Q	R	S	T	U	V	W	X	Y	Z	Fancy Yellow

Clarity Scale

AGS	0	1	2	3	4	5	6	7	8	9	10	
	Flawless/IF	Very Very Slightly Included		Very Slightly Included		Slightly Included		Included				
GIA	Flawless/IF	VVS1	VVS2	VS1	VS2	S11	S12	I1		I2		I3

THIS IS A REPRESENTATION OF THE ACTUAL DOCUMENT

ORIGINAL