



AMERICAN GEM SOCIETY  
LABORATORIES™

AGS 104096195002

October 12, 2017

0.725 cts

Setting the Highest Standard for Diamond Grading®



The Proprietary Light Performance Diamond Quality® Document

Shape and Style  
Measurements

Cushion Brilliant  
5.50 x 5.20 x 3.45 mm

Cut Grade

AGS Ideal 0

Light Performance

AGS Ideal 0

Polish

AGS Ideal 0

Symmetry

AGS Ideal 0

Color Grade

(H) AGS 2.0

Clarity Grade

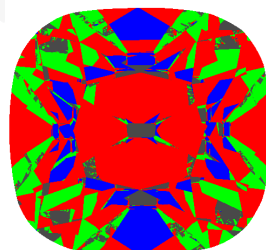
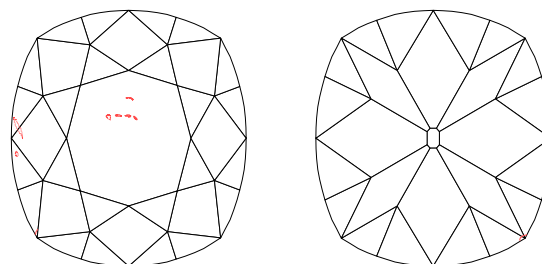
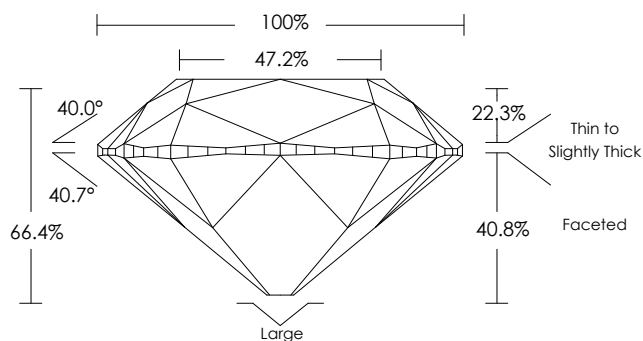
(VS2) AGS 4

Carat Weight

0.725 cts

Comments

Fluorescence: Negligible  
Girdle inscribed "AV" and "AGS 104096195002"  
Additional clouds not shown



AGSL Computer Generated Light Performance Map for this Diamond.  
U.S. Patent No: 7382445, 7420657, 7372552

Key to Symbols

- Crystal
- Cloud
- Feather

Cut Scale

- Brightness
- Contrast
- Less Bright
- Light Leakage

|     |           |               |               |          |   |          |   |   |          |   |    |
|-----|-----------|---------------|---------------|----------|---|----------|---|---|----------|---|----|
| AGS | 0         | 1             | 2             | 3        | 4 | 5        | 6 | 7 | 8        | 9 | 10 |
|     | AGS Ideal | AGS Excellent | AGS Very Good | AGS Good |   | AGS Fair |   |   | AGS Poor |   |    |

Color Scale

|     |           |     |     |                |     |     |       |     |     |            |     |     |     |     |     |       |     |     |     |              |      |                 |   |              |
|-----|-----------|-----|-----|----------------|-----|-----|-------|-----|-----|------------|-----|-----|-----|-----|-----|-------|-----|-----|-----|--------------|------|-----------------|---|--------------|
| AGS | 0.0       | 0.5 | 1.0 | 1.5            | 2.0 | 2.5 | 3.0   | 3.5 | 4.0 | 4.5        | 5.0 | 5.5 | 6.0 | 6.5 | 7.0 | 7.5   | 8.0 | 8.5 | 9.0 | 9.5          | 10.0 | To Fancy Yellow |   |              |
|     | Colorless |     |     | Near Colorless |     |     | Faint |     |     | Very Light |     |     |     |     |     | Light |     |     |     | Fancy Yellow |      |                 |   |              |
| GIA | D         | E   | F   | G              | H   | I   | J     | K   | L   | M          | N   | O   | P   | Q   | R   | S     | T   | U   | V   | W            | X    | Y               | Z | Fancy Yellow |

Clarity Scale

|     |             |                             |      |                        |     |                   |     |          |   |    |    |    |
|-----|-------------|-----------------------------|------|------------------------|-----|-------------------|-----|----------|---|----|----|----|
| AGS | 0           | 1                           | 2    | 3                      | 4   | 5                 | 6   | 7        | 8 | 9  | 10 |    |
|     | Flawless/IF | Very Very Slightly Included |      | Very Slightly Included |     | Slightly Included |     | Included |   |    |    |    |
| GIA | Flawless/IF | VVS1                        | VVS2 | VS1                    | VS2 | S11               | S12 | I1       |   | I2 |    | I3 |

THIS IS A REPRESENTATION OF THE ACTUAL DOCUMENT

ORIGINAL