



AMERICAN GEM SOCIETY
LABORATORIES™

AGS 104096195006

October 12, 2017

0.724 cts

Setting the Highest Standard for Diamond Grading®



The Proprietary Light Performance Diamond Quality® Document

Shape and Style
Measurements

Cushion Brilliant
5.53 x 5.22 x 3.46 mm

Cut Grade

AGS Ideal 0

Light Performance
Polish
Symmetry

AGS Ideal 0

AGS Ideal 0

AGS Ideal 0

Color Grade

(K) AGS 3.5

Clarity Grade

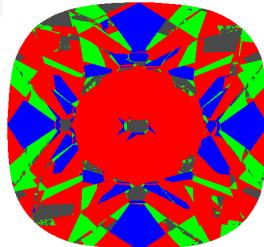
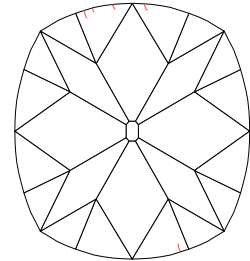
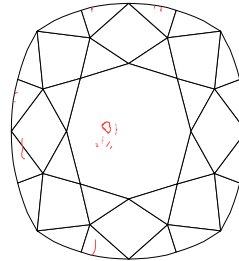
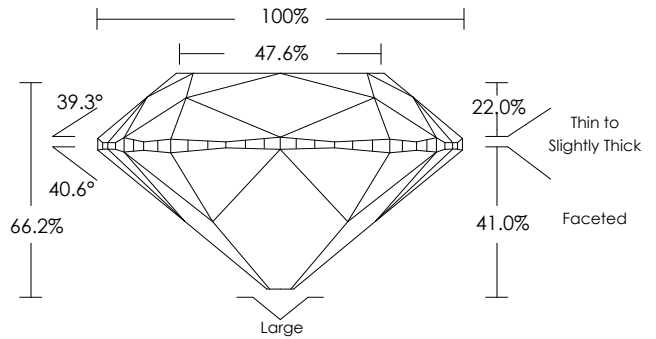
(VS2) AGS 4

Carat Weight

0.724 cts

Comments

Fluorescence: Negligible
Girdle inscribed "AV" and "AGS 104096195006"
Additional clouds not shown



Key to Symbols

- Crystal ○
- Feather ~
- Cloud ☼
- Needle /

AGSL Computer Generated Light Performance Map for this Diamond.
U.S. Patent No: 7382445, 7420657, 7372552

Cut Scale

- Brightness (Red)
- Contrast (Blue)
- Less Bright (Green)
- Light Leakage (Grey)

AGS	0	1	2	3	4	5	6	7	8	9	10
	AGS Ideal	AGS Excellent	AGS Very Good	AGS Good		AGS Fair			AGS Poor		

Color Scale

AGS	0.0	0.5	1.0	1.5	2.0	2.5	3.0	3.5	4.0	4.5	5.0	5.5	6.0	6.5	7.0	7.5	8.0	8.5	9.0	9.5	10.0	To Fancy Yellow		
	Colorless			Near Colorless			Faint			Very Light						Light				Fancy Yellow				
GIA	D	E	F	G	H	I	J	K	L	M	N	O	P	Q	R	S	T	U	V	W	X	Y	Z	Fancy Yellow

Clarity Scale

AGS	0	1	2	3	4	5	6	7	8	9	10	
	Flawless/IF	Very Very Slightly Included		Very Slightly Included		Slightly Included		Included				
GIA	Flawless/IF	VVS1	VVS2	VS1	VS2	S11	S12	I1		I2		I3

THIS IS A REPRESENTATION OF THE ACTUAL DOCUMENT

ORIGINAL