



AMERICAN GEM SOCIETY
LABORATORIES™

AGS 104096195023

October 12, 2017

1.021 cts

Setting the Highest Standard for Diamond Grading®



The Proprietary Light Performance Diamond Quality® Document

Shape and Style
Measurements

Cushion Brilliant
6.20 x 5.70 x 3.85 mm

Cut Grade

AGS Ideal 0

Light Performance
Polish
Symmetry

AGS Ideal 0
AGS Ideal 0
AGS Ideal 0

Color Grade

(J) AGS 3.0

Clarity Grade

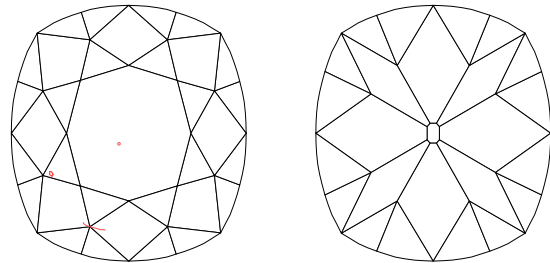
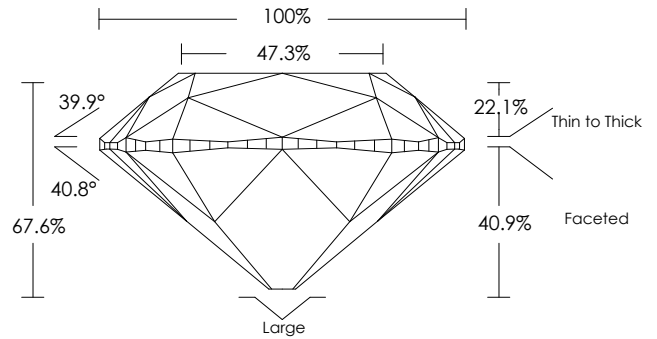
(VS2) AGS 4

Carat Weight

1.021 cts

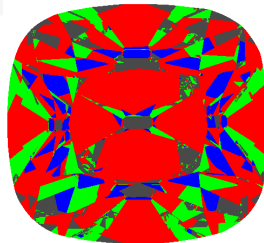
Comments

Fluorescence: Negligible
Girdle inscribed "AV" and "AGS 104096195023"



Key to Symbols

Feather
Crystal



AGSL Computer Generated Light Performance Map for this Diamond.
U.S. Patent No: 7382445, 7420657, 7372552

Brightness Less Bright
Contrast Light Leakage

Cut Scale

AGS	0	1	2	3	4	5	6	7	8	9	10
	AGS Ideal	AGS Excellent	AGS Very Good	AGS Good		AGS Fair			AGS Poor		

Color Scale

AGS	0.0	0.5	1.0	1.5	2.0	2.5	3.0	3.5	4.0	4.5	5.0	5.5	6.0	6.5	7.0	7.5	8.0	8.5	9.0	9.5	10.0	To Fancy Yellow		
	Colorless			Near Colorless			Faint			Very Light						Light						Fancy Yellow		
GIA	D	E	F	G	H	I	J	K	L	M	N	O	P	Q	R	S	T	U	V	W	X	Y	Z	Fancy Yellow

Clarity Scale

AGS	0	1	2	3	4	5	6	7	8	9	10
	Flawless/IF	Very Very Slightly Included		Very Slightly Included		Slightly Included			Included		
GIA	Flawless/IF	VVS1	VVS2	VS1	VS2	S11	S12		I1	I2	I3

THIS IS A REPRESENTATION OF THE ACTUAL DOCUMENT

ORIGINAL