



AMERICAN GEM SOCIETY
LABORATORIES™

AGS 104096195024

October 12, 2017

1.140 cts

Setting the Highest Standard for Diamond Grading®



The Proprietary Light Performance Diamond Quality® Document

Shape and Style
Measurements

Cushion Brilliant
6.11 x 6.11 x 4.17 mm

Cut Grade

AGS Ideal 0

Light Performance
Polish
Symmetry

AGS Ideal 0
AGS Ideal 0
AGS Ideal 0

Color Grade

(J) AGS 3.0

Clarity Grade

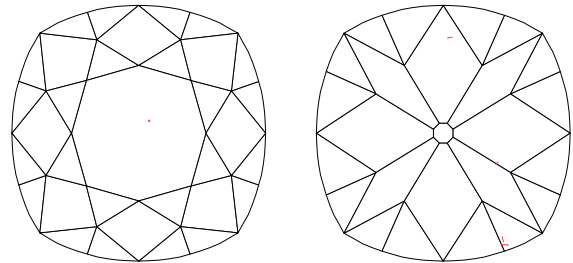
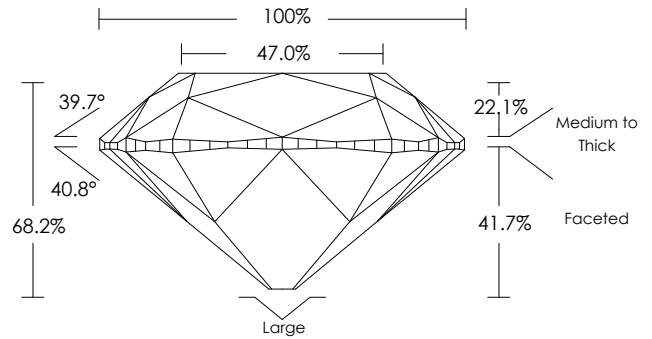
(VS1) AGS 3

Carat Weight

1.140 cts

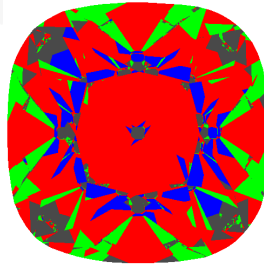
Comments

Fluorescence: Medium Blue
Girdle inscribed "AV" and "AGS 104096195024"



Key to Symbols

Feather
Pinpoint



AGSL Computer Generated Light Performance Map for this Diamond.
U.S. Patent No: 7382445, 7420657, 7372552

Cut Scale

Brightness Less Bright
 Contrast Light Leakage

AGS	0	1	2	3	4	5	6	7	8	9	10
	AGS Ideal	AGS Excellent	AGS Very Good	AGS Good		AGS Fair			AGS Poor		

Color Scale

AGS	0.0	0.5	1.0	1.5	2.0	2.5	3.0	3.5	4.0	4.5	5.0	5.5	6.0	6.5	7.0	7.5	8.0	8.5	9.0	9.5	10.0	To Fancy Yellow		
	Colorless			Near Colorless			Faint			Very Light						Light				Fancy Yellow				
GIA	D	E	F	G	H	I	J	K	L	M	N	O	P	Q	R	S	T	U	V	W	X	Y	Z	Fancy Yellow

Clarity Scale

AGS	0	1	2	3	4	5	6	7	8	9	10	
	Flawless/IF	Very Very Slightly Included		Very Slightly Included		Slightly Included			Included			
GIA	Flawless/IF	VVS1	VVS2	VS1	VS2	S11	S12		I1		I2	I3

THIS IS A REPRESENTATION OF THE ACTUAL DOCUMENT

ORIGINAL