



# AMERICAN GEM SOCIETY LABORATORIES®

Setting the Highest Standard for Diamond Grading®

AGS 104097242004

December 15, 2017

0.923 cts.



## The Diamond Quality® Report

### Shape and Style Measurements

Old European  
6.07 - 6.09 x 4.09 mm

### Finish

Polish  
Symmetry

AGS Ideal 0  
AGS Ideal 0

### Color Grade

(K) AGS 3.5

### Clarity Grade

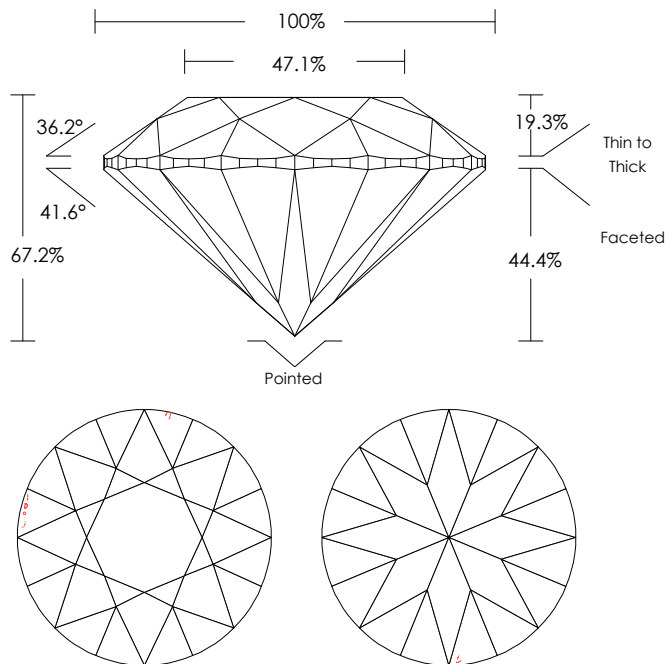
(VS1) AGS 3

### Carat Weight

0.923 cts.

### Comments

Fluorescence: Negligible  
Girdle inscribed "AGS" and "AGS 104097242004"  
Additional clouds not shown



### Key to Symbols

Crystal ○  
Cloud ☉  
Feather ~

### Cut Scale

AGS	0	1	2	3	4	5	6	7	8	9	10
	AGS Ideal	AGS Excellent	AGS Very Good	AGS Good			AGS Fair			AGS Poor	

### Color Scale

AGS	0.0	0.5	1.0	1.5	2.0	2.5	3.0	3.5	4.0	4.5	5.0	5.5	6.0	6.5	7.0	7.5	8.0	8.5	9.0	9.5	10.0	To Fancy Yellow		
	Colorless		Near Colorless			Faint			Very Light						Light					Fancy Yellow				
GIA	D	E	F	G	H	I	J	K	L	M	N	O	P	Q	R	S	T	U	V	W	X	Y	Z	Fancy Yellow

### Clarity Scale

AGS	0	1	2	3	4	5	6	7	8	9	10	
	Flawless/IF	Very Very Slightly Included		Very Slightly Included		Slightly Included		Included				
GIA	Flawless/IF	VVS1	VVS2	VS1	VS2	S11	S12	I1		I2		I3

THIS IS A REPRESENTATION OF AN ACTUAL DOCUMENT

ORIGINAL