



AMERICAN GEM SOCIETY
LABORATORIES™

Setting the Highest Standard for Diamond Grading®

AGS 104097242016

December 15, 2017

0.920 cts



The Proprietary Light Performance Diamond Quality® Document

Shape and Style
Measurements

Cushion Brilliant
6.00 x 5.55 x 3.72 mm

Cut Grade

AGS Ideal 0

Light Performance
Polish
Symmetry

AGS Ideal 0
AGS Ideal 0
AGS Ideal 0

Color Grade

(M) AGS 4.5

Clarity Grade

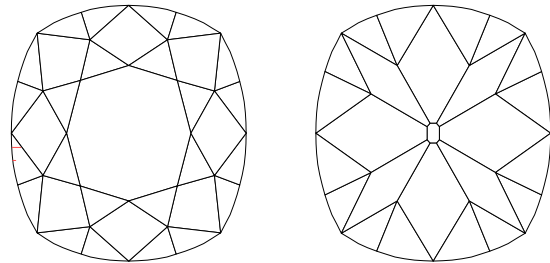
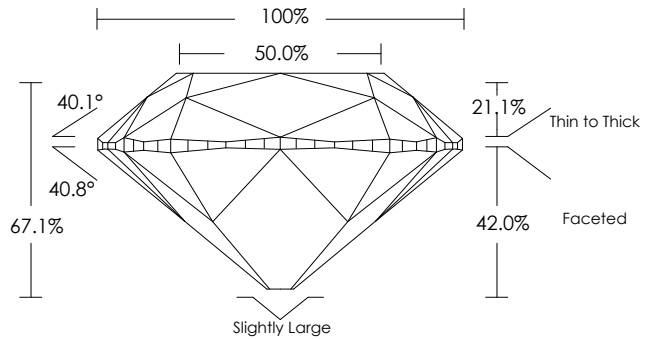
(VS1) AGS 3

Carat Weight

0.920 cts

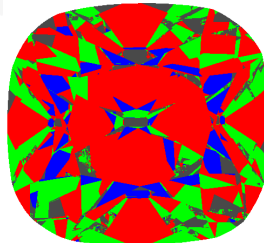
Comments

Fluorescence: Negligible
Girdle inscribed "AV" and "AGS 104097242016"



Key to Symbols

Feather



AGSL Computer Generated Light Performance Map for this Diamond.
U.S. Patent No: 7382445, 7420657, 7372552

Cut Scale

AGS	0	1	2	3	4	5	6	7	8	9	10
	AGS Ideal	AGS Excellent	AGS Very Good	AGS Good		AGS Fair			AGS Poor		

Color Scale

AGS	0.0	0.5	1.0	1.5	2.0	2.5	3.0	3.5	4.0	4.5	5.0	5.5	6.0	6.5	7.0	7.5	8.0	8.5	9.0	9.5	10.0	To Fancy Yellow		
	Colorless		Near Colorless			Faint			Very Light						Light					Fancy Yellow				
GIA	D	E	F	G	H	I	J	K	L	M	N	O	P	Q	R	S	T	U	V	W	X	Y	Z	Fancy Yellow

Clarity Scale

AGS	0	1	2	3	4	5	6	7	8	9	10
	Flawless/IF	Very Very Slightly Included		Very Slightly Included		Slightly Included		Included			
GIA	Flawless/IF	VVS1	VVS2	VS1	VS2	S11	S12	I1	I2	I3	

THIS IS A REPRESENTATION OF THE ACTUAL DOCUMENT

ORIGINAL