



# AMERICAN GEM SOCIETY LABORATORIES™

Setting the Highest Standard for Diamond Grading®

AGS 104097242019

December 15, 2017

1.591 cts



## The Proprietary Light Performance Diamond Quality® Document

Shape and Style  
Measurements

Cushion Brilliant  
7.20 x 6.65 x 4.50 mm

Cut Grade

AGS Ideal 0

Light Performance  
Polish  
Symmetry

AGS Ideal 0

AGS Ideal 0

AGS Ideal 0

Color Grade

(O) AGS 5.5

Clarity Grade

(VS2) AGS 4

Carat Weight

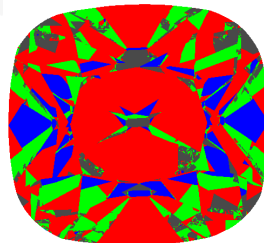
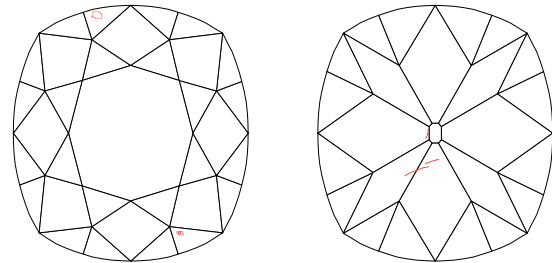
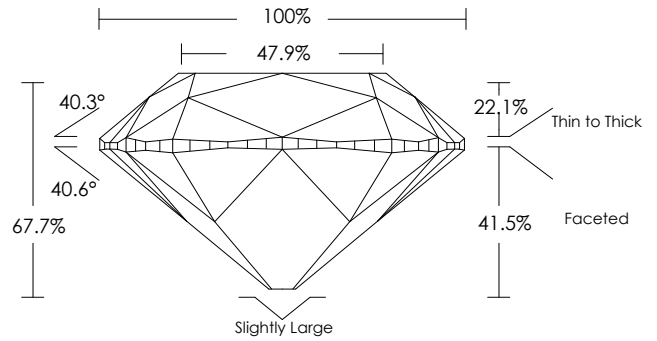
1.591 cts

Comments

Fluorescence: Negligible

Girdle inscribed "AV" and "AGS 104097242019"

**AV**  
Inc.



AGSL Computer Generated Light Performance Map for this Diamond.  
U.S. Patent No: 7382445, 7420657, 7372552

■ Brightness    ■ Less Bright  
■ Contrast    ■ Light Leakage

**Key to Symbols**

Feather      
Cloud      
Crystal   

**Cut Scale**

AGS	0	1	2	3	4	5	6	7	8	9	10
	AGS Ideal	AGS Excellent	AGS Very Good	AGS Good		AGS Fair			AGS Poor		

**Color Scale**

AGS	0.0	0.5	1.0	1.5	2.0	2.5	3.0	3.5	4.0	4.5	5.0	5.5	6.0	6.5	7.0	7.5	8.0	8.5	9.0	9.5	10.0	To Fancy Yellow		
	Colorless		Near Colorless			Faint			Very Light						Light					Fancy Yellow				
GIA	D	E	F	G	H	I	J	K	L	M	N	O	P	Q	R	S	T	U	V	W	X	Y	Z	Fancy Yellow

**Clarity Scale**

AGS	0	1	2	3	4	5	6	7	8	9	10
	Flawless/IF	Very Very Slightly Included		Very Slightly Included		Slightly Included		Included			
GIA	Flawless/IF	VVS1	VVS2	VS1	VS2	S11	S12	I1		I2	I3

THIS IS A REPRESENTATION OF THE ACTUAL DOCUMENT

ORIGINAL