



AMERICAN GEM SOCIETY
LABORATORIES™

Setting the Highest Standard for Diamond Grading®

AGS 104100834013

July 26, 2018

1.278 cts



The Proprietary Light Performance Diamond Quality® Document

Shape and Style **Round Brilliant**
Measurements **7.02 - 7.06 x 4.28 mm**

Cut Grade **AGS Ideal 0**

Light Performance **AGS Ideal 0**
Polish **AGS Ideal 0**
Symmetry **AGS Ideal 0**

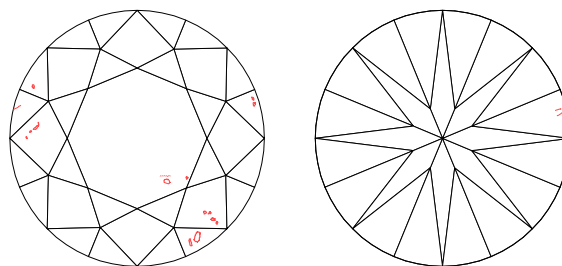
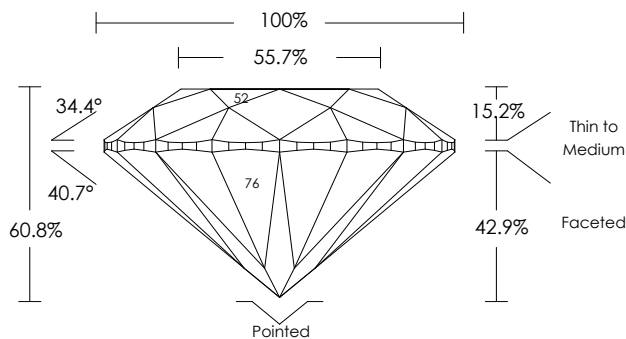
Color Grade **(H) AGS 2.0**

Clarity Grade **(VS2) AGS 4**

Carat Weight **1.278 cts**

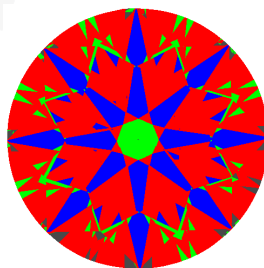
Comments

Fluorescence: Negligible
Girdle inscribed "Brian & Gavin 104100834013"
Additional clouds not shown



Key to Symbols

- Feather
- Crystal
- Cloud



AGSL Computer Generated Light Performance Map for this Diamond.
U.S. Patent No: 7382445, 7420657, 7372552

- Brightness
- Contrast
- Less Bright
- Light Leakage

Cut Scale

AGS	0	1	2	3	4	5	6	7	8	9	10
	AGS Ideal	AGS Excellent	AGS Very Good	AGS Good		AGS Fair			AGS Poor		

Color Scale

AGS	0.0	0.5	1.0	1.5	2.0	2.5	3.0	3.5	4.0	4.5	5.0	5.5	6.0	6.5	7.0	7.5	8.0	8.5	9.0	9.5	10.0	To Fancy Yellow		
	Colorless			Near Colorless			Faint			Very Light						Light				Fancy Yellow				
GIA	D	E	F	G	H	I	J	K	L	M	N	O	P	Q	R	S	T	U	V	W	X	Y	Z	Fancy Yellow

Clarity Scale

AGS	0	1	2	3	4	5	6	7	8	9	10	
	Flawless/IF	Very Very Slightly Included		Very Slightly Included		Slightly Included		Included				
GIA	Flawless/IF	VVS1	VVS2	VS1	VS2	S11	S12	I1		I2		I3

THIS IS A REPRESENTATION OF THE ACTUAL DOCUMENT ORIGINAL